

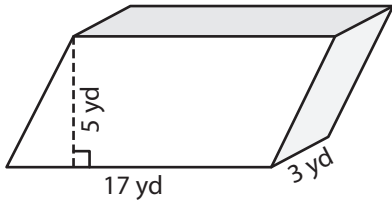
Name: _____

Volume - Prism

ES1

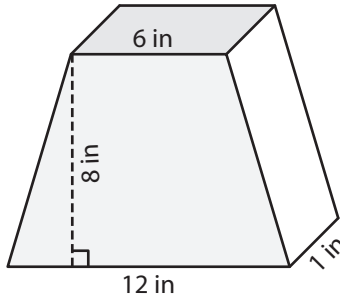
Find the volume of each shape.

1)



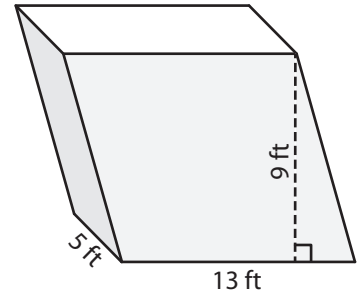
Volume = _____

2)



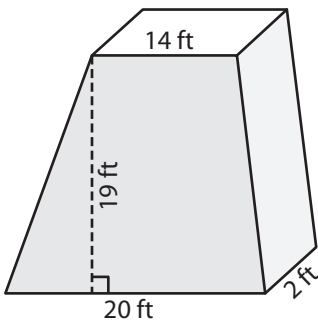
Volume = _____

3)



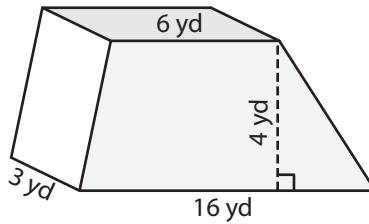
Volume = _____

4)



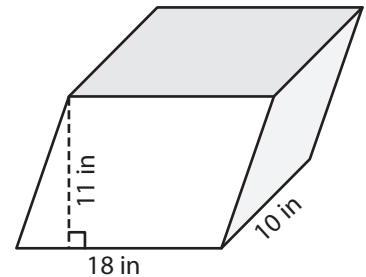
Volume = _____

5)



Volume = _____

6)



Volume = _____

7) The base of a prism is a parallelogram whose base and height are 19 inches and 7 inches respectively. Find the volume of the prism if its length is 10 inches.

8) The base of a prism is a trapezoid whose height is 12 yards. The parallel bases of the trapezoid measure 15 yards and 8 yards. If the length of the prism is 5 yards, find its volume.

Name: _____

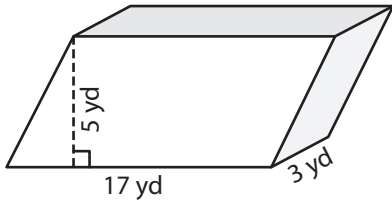
Answer key

Volume - Prism

ES1

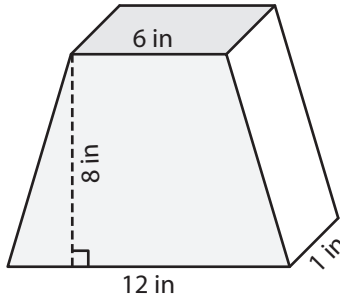
Find the volume of each shape.

1)



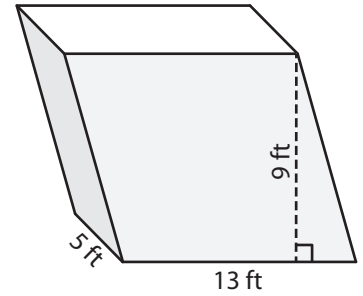
Volume = 255 yd³

2)



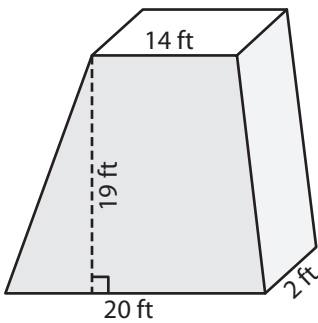
Volume = 72 in³

3)



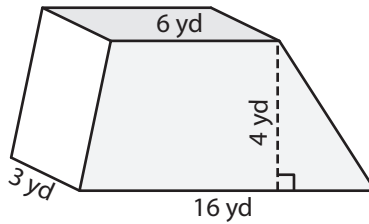
Volume = 585 ft³

4)



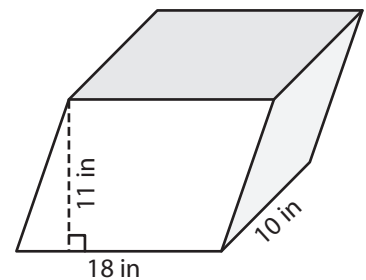
Volume = 646 ft³

5)



Volume = 132 yd³

6)



Volume = 1,980 in³

7) The base of a prism is a parallelogram whose base and height are 19 inches and 7 inches respectively. Find the volume of the prism if its length is 10 inches.

1,330 cubic inches

8) The base of a prism is a trapezoid whose height is 12 yards. The parallel bases of the trapezoid measure 15 yards and 8 yards. If the length of the prism is 5 yards, find its volume.

690 cubic yards